

# ETN-24- SUPER-SH



Multi purpose, All-In-One™ surface mount thermostat 24Vac.

## General

**The ETN-24-SUPER-01 thermostat is a fully featured and stylish thermostat that is well suited to light commercial, residential or apartment applications. It can control a large variety of HVAC systems with different configurations. Both Cooling Only or Cool and Heat systems. Selectable number of heating and cooling stages and multiple Fan Speeds. A attractive, surface mounted thermostat – 24 VAC, with large, easy to read, display.**

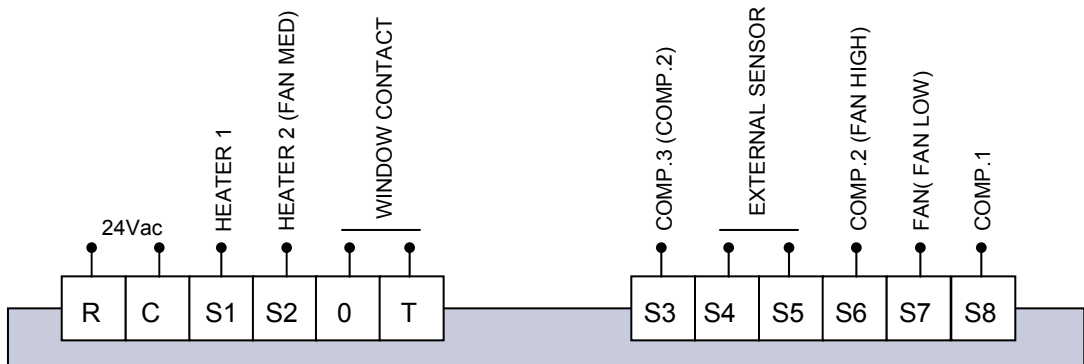
## Features

- Surface mount - 24 Vac thermostat
- Control Cool Only or Cool&Heat systems – selectable by choosing Dip switch position.
- 1 Fan Speed or 3 Fan Speeds – selectable by choosing Dip switch position.
- Window contact input to stop thermostat or activate economy mode.
- Selectable display – ambient temperature or set temperature only – selectable by choosing Dip switch position.

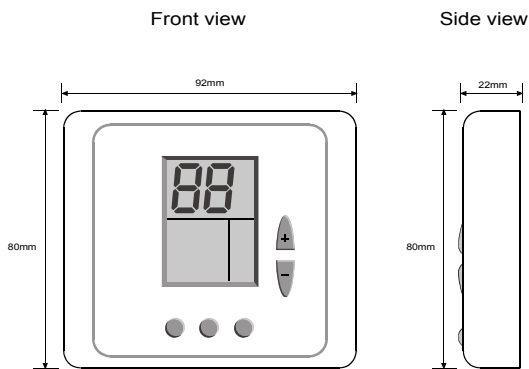
## Models

Model	Cooling stages	Heating stages	Fan speeds	Window contact input
C1-1S	1	N/A	1	+
C1-3S	1	N/A	3	+
C2-1S	2	N/A	1	+
C2-3S	2	N/A	3	+
C3-1S	3	N/A	1	+
HC11-1S	1	1	1	+
HC11-3S	1	1	3	+
HC12-1S	2	1	1	+
HC12-3S	2	1	3	+
HC23-1S	2	2	1	+

## Electrical Diagram



## Dimensions



## Specifications

Temperature Range	10° - 30°C
Weight	0.123 Kg
Scale	°C
Color	White
Accuracy	±1°C
Plastic	PC/ABS
Flammability	UL94V-0
Temperature Input	Thermistor 50K@25°C

## Accessories

Part Number	Description
TS01	Temperature Sensor - 80 cm Cable
RS01	Temperature Sensor into decorative box
RS02	Average Temperature Sensor into decorative box
DT02	Duct Temperature Sensor
WP4	Decorative Back Plate for ETN